

This drawing is protected under Copyright and at no time may any portion of this drawing be reproduced or copied in anyway without the permission of Morgan Lovell.

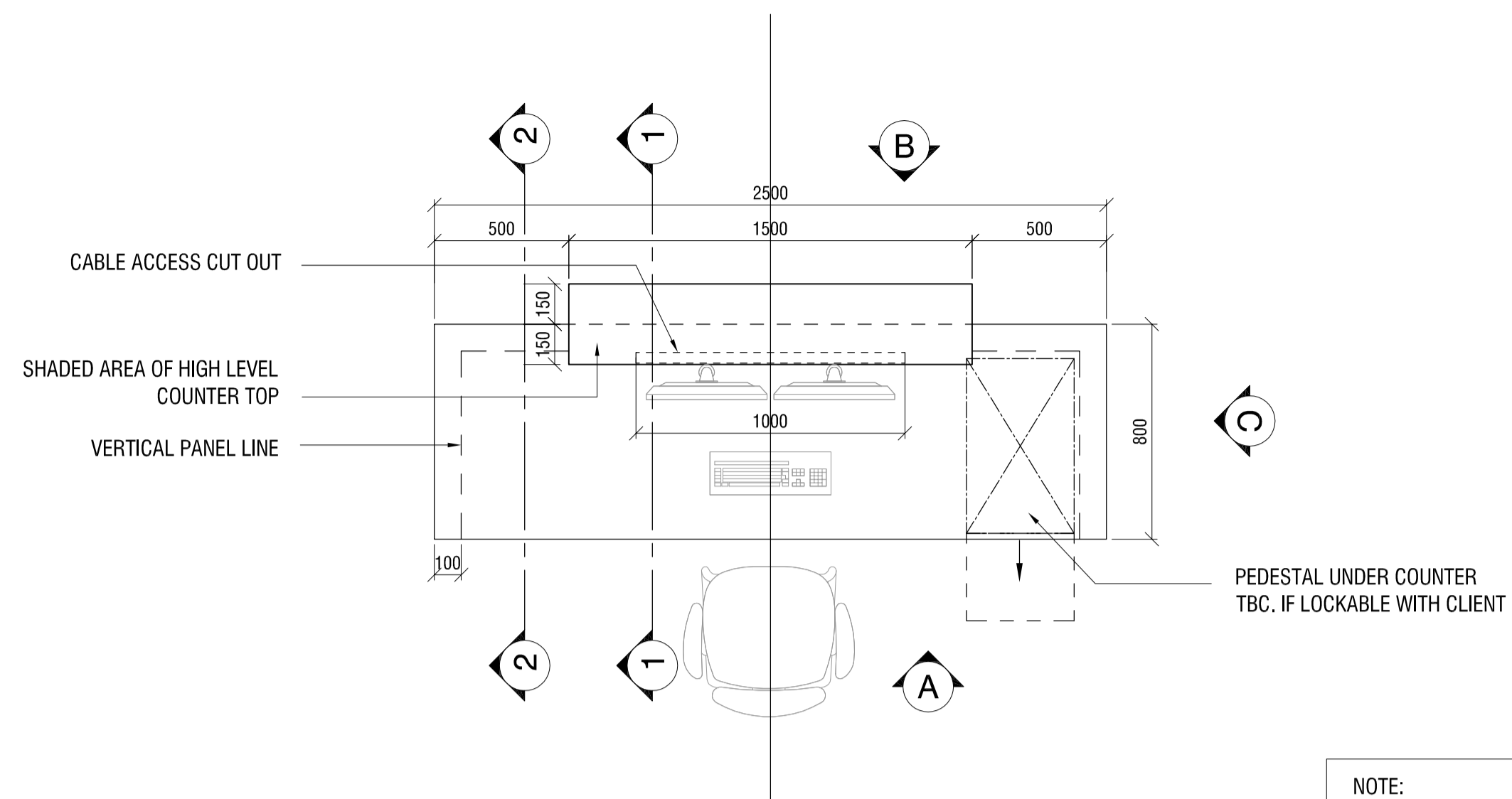
All dimensions must be checked on site and NOT scaled from this drawing.

SUBJECT TO SITE SURVEY

CHECK SURVEY UNDERTAKEN ONLY

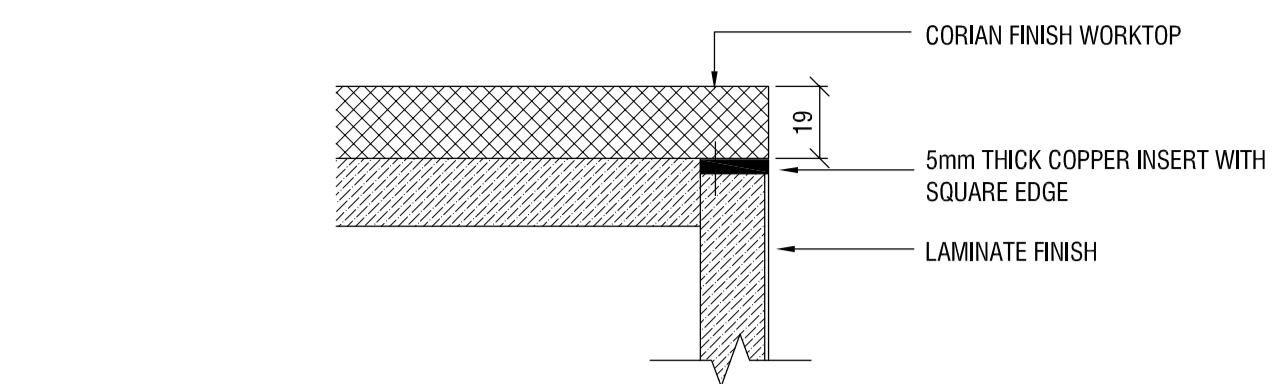
BUILDING PARAMETERS TAKEN FROM DRAWINGS PROVIDED

BUILDING PARAMETERS TAKEN FROM AS BUILT DRAWINGS PROVIDED

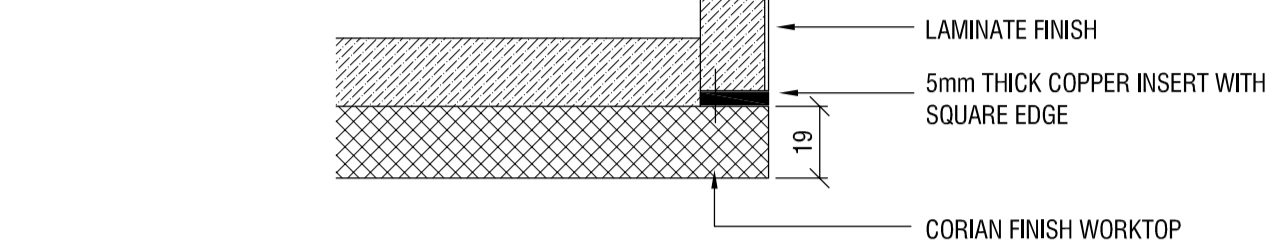


PLAN
SCALE 1:20

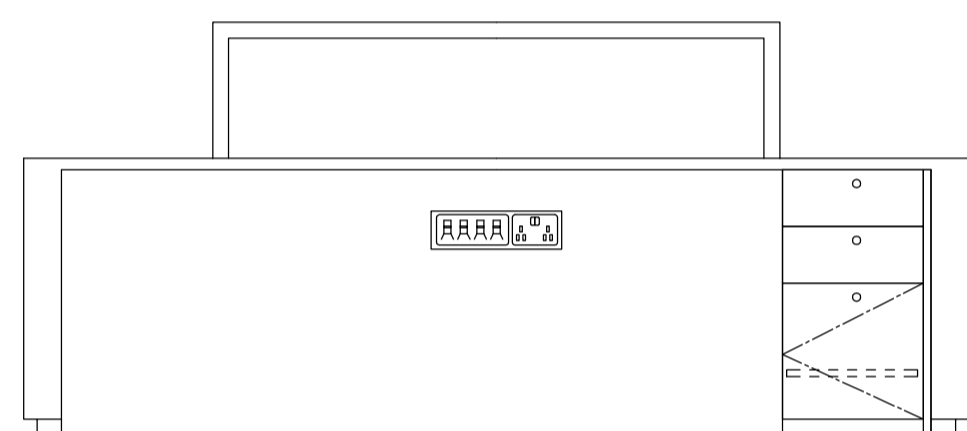
NOTE:
1. ALL VISIBLE SURFACES FINISHED IN CORIAN, UNLESS SPECIFIED DIFFERENTLY.
2. LAMINATE - ALL VERTICAL GRAIN
3. REFER TO FINISHES SPECIFICATION.



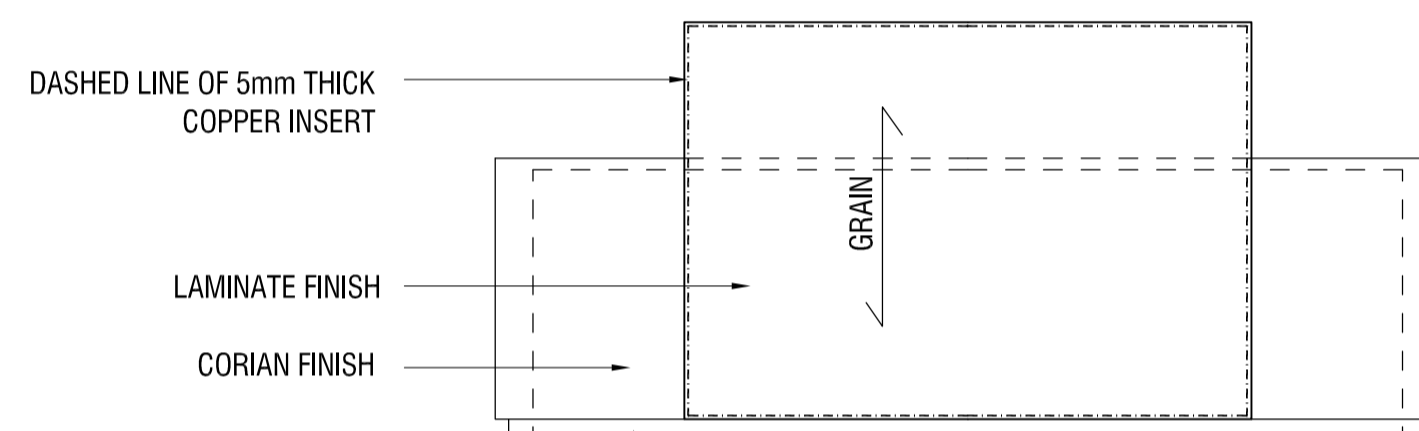
A COPPER DETAIL
SCALE 1:2



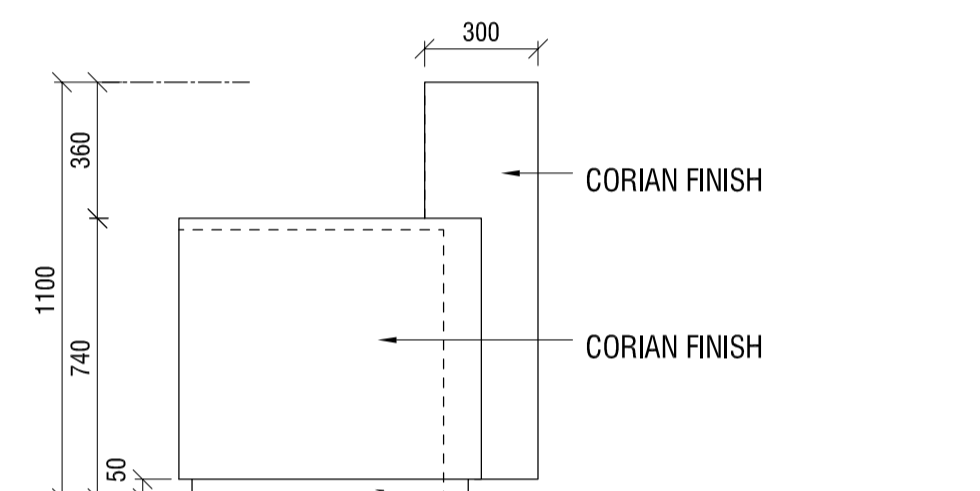
B COPPER DETAIL
SCALE 1:2



A ELEVATION
SCALE 1:20



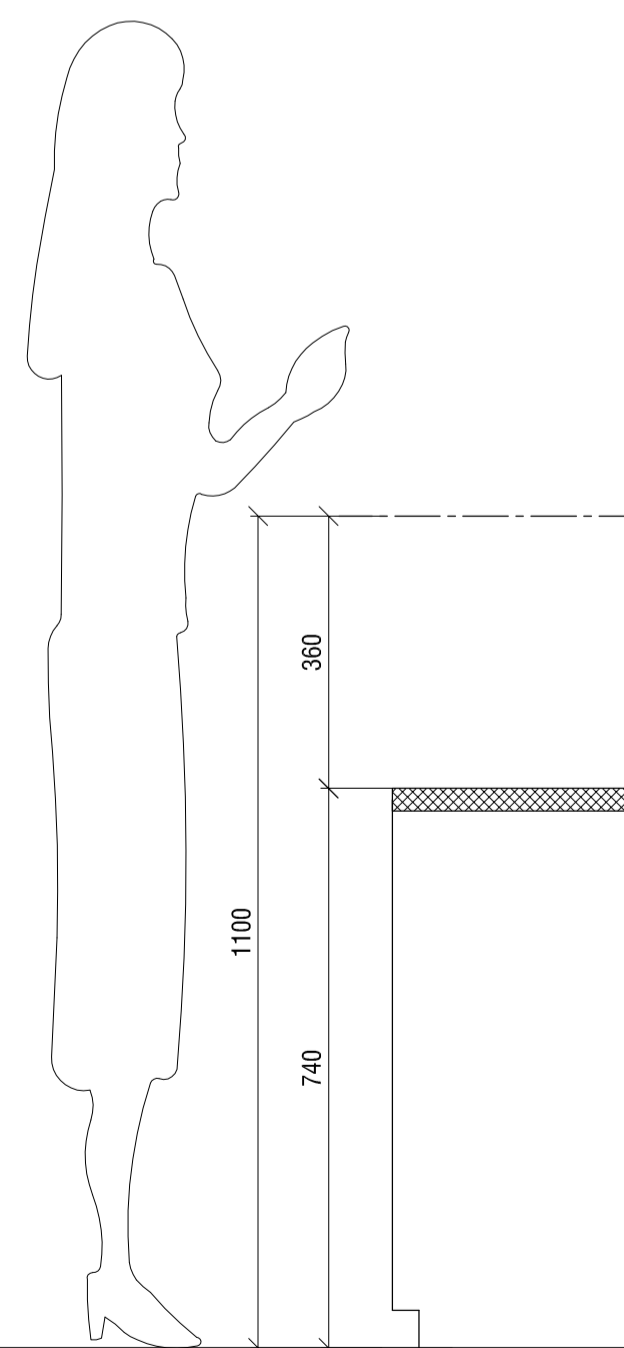
B ELEVATION
SCALE 1:20



C ELEVATION
SCALE 1:20

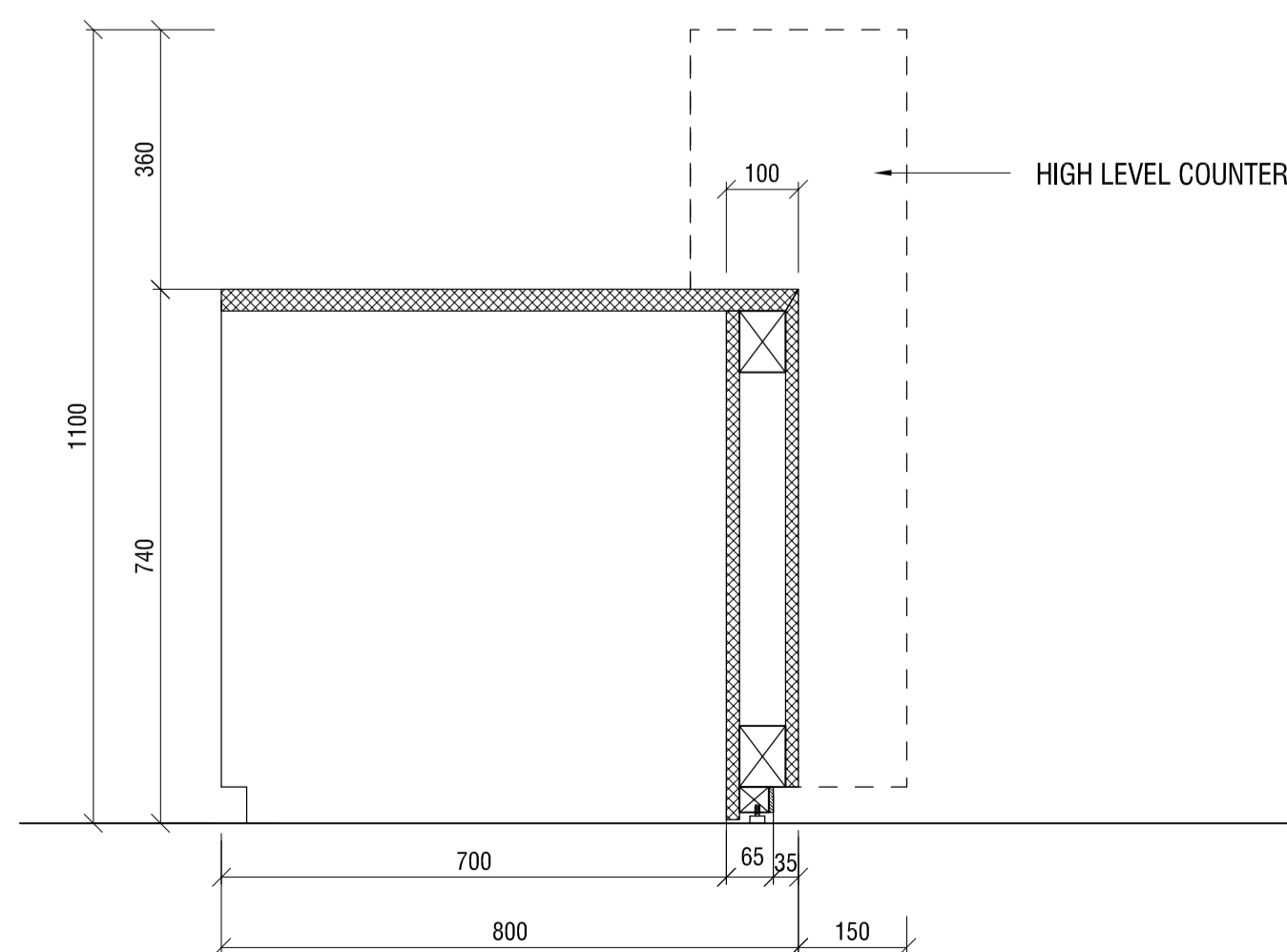
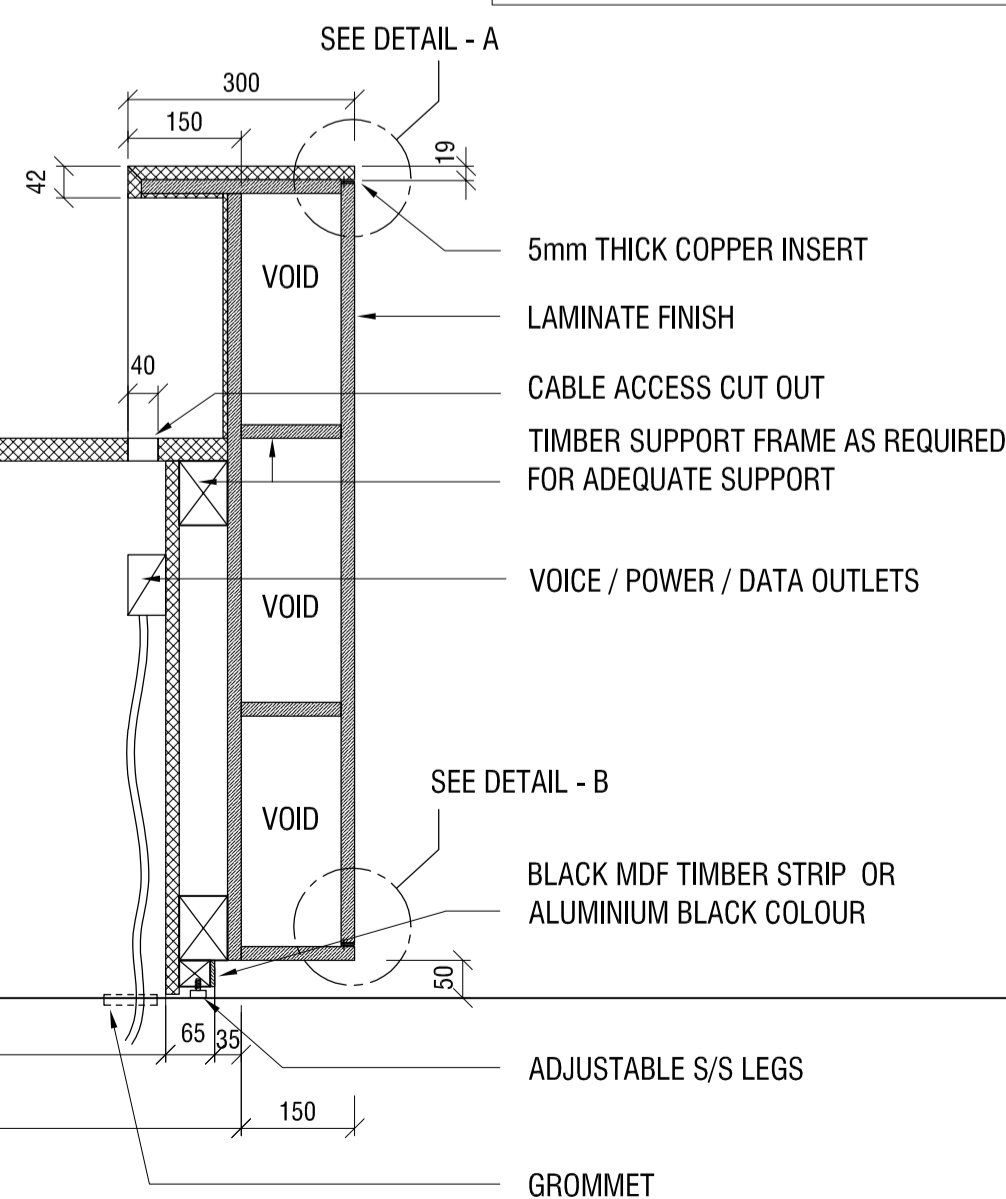
BLACK MDF TIMBER STRIP OR ALUMINIUM BLACK COLOUR

BLACK MDF TIMBER STRIP OR ALUMINIUM BLACK COLOUR



1 SECTION
SCALE 1:10

NOTE: ALL VISIBLE SURFACES FINISHED IN CORIAN, UNLESS STATED DIFFERENTLY



2 SECTION
SCALE 1:10



INDICATIVE IMAGE
SCALE: NTS

CONSTRUCTION

Morgan Lovell

16 Noel Street London W1F 8DA
T: 0207 734 4466 F: 0207 734 2968 E: contact@morganlovell.com
W: http://www.morganlovell.com

Client
Long Harbour

Project
33 WIGMORE STREET
MARYLEBONE
LONDON
W1U 1BZ

Title
**7th FLOOR
RECEPTION DESK**

Scale	Date	Designer/Drawn By	Checked By / Date
1:20 @ A1	11.06.2015	VM	VM

Drawing Number			
Project No.	Floor	Drawing No.	Rev
ML1823	7	602	-